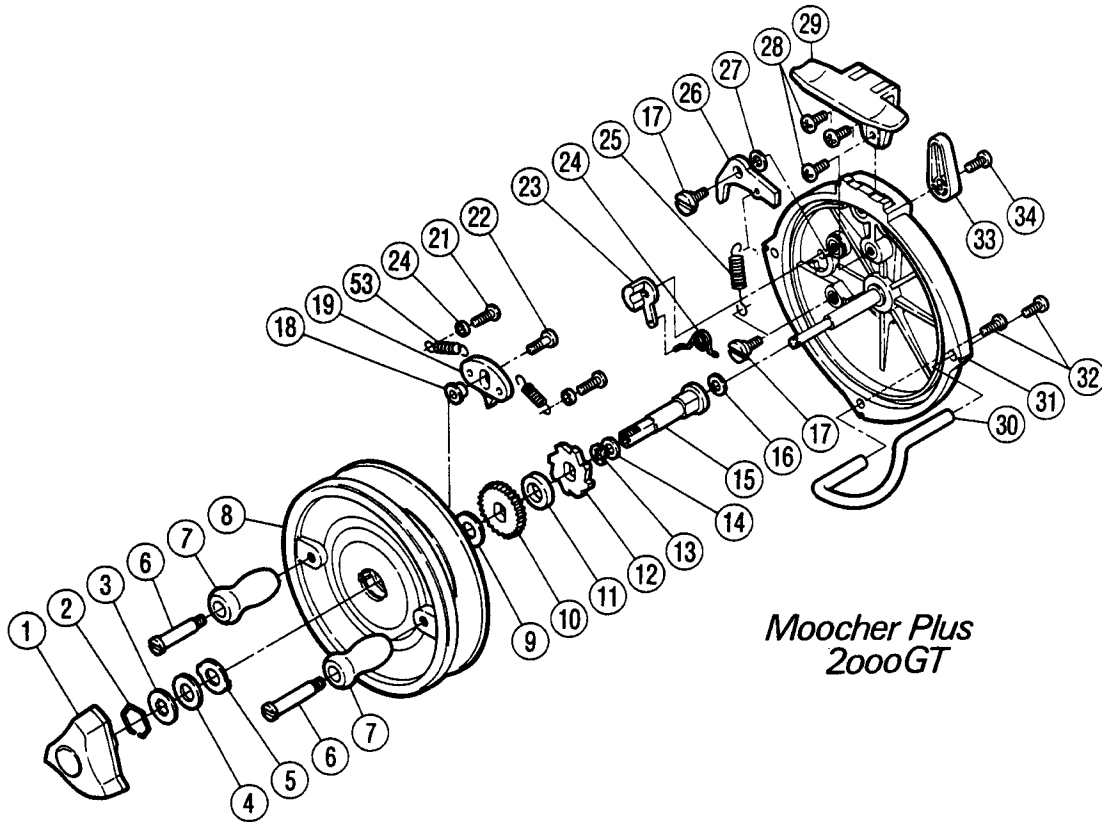


1991 REPAIR MANUALShimano American Corporation, One Shimano Dr.
Irvine, CA 92718*Moocher Plus
2000GT*TO ORDER: USE MCR PREFIX
WITH PART NUMBER**PARTS LIST**

MCR #	DESCRIPTION	MCR #	DESCRIPTION	MCR #	DESCRIPTION
0001	Drag Knob	0013	Main Shaft Retainer	0025	Anti-Reverse Pawl Spring
0002	Drag Washers Retainer	0014	Retainer Space	0026	Anti-Reverse Pawl
0003	Key Washer	0015	Main Shaft	0027	Anti-Reverse Pawl Spacer
0004	Drag Washer	0016	Main Shaft Washer	0028	Stand Screw
0005	Eared Washer	0017	Anti-Reverse Pawl Screw	0029	Stand
0006	Handle Knob Bolt	0018	Click Pawl Bushing	0030	Line Guard
0007	Handle Knob	0019	Click Pawl	0031	Back Plate
0008	Spool	0020	Click Spring	0032	Line Guard Screw
0009	Spool Washer	0021	Click Spring Screw	0033	Anti-Reverse Lever
0010	Click Gear	0022	Click Pawl Screw	0034	Anti-Reverse Lever Screw
0011	Spacer	0023	Anti-Reverse Cam	0044	Click Spring Screw Collar
0012	Anti-Reverse Ratchet	0024	Anti-Reverse Cam Spring		